



Einstein & Hopper Coaches Q&A call

Monday January 13, 2020



Weather Contingencies (Coach Email item - 27)



- In case of snow, the tournament will be held, unless Elgin Community College closes the campus.
 - ECC brought in extra snow removal crews last year to allow us to hold Einstein
- If we need to cancel:
 - We will send an email to coaches immediately
 - We will post an announce on our webpage
<https://www.firstillinoisrobotics.org/state-championship-tournaments/>
- If we cancel, we will not be able to reschedule.
- If we are holding the tournament and your team can not attend please do both of these things:
 1. Send an email to: fll-contact@firstillinoisrobotics.org
 2. Call Bob Hubberts at: **847-508-4995**.



Other Announcements



- Schedules will be posted tomorrow
- Food pre-order forms are available on the championship website
- We have a small change to our Spirit Parade rule of 2 people per team.
 - Only 2 people per team
 - However, if your team is only 3 member all 3 can march.
- We had 7 teams interested in leading the national anthem on Saturday and 4 on Sunday. We drew names out of a hat and notified the teams via email.
- We are still short on volunteers, especially for Einstein



Field Specifics



- 3” tall walls
- Home area is smooth (MDF)
- Mats are lined up in SE corner BUT may also be adjusted so that the red arrow under the bridges line up
- Mat will be taped down with .5” gaffers tape



Pre-match



- Inspection
- Set-up for Launch
- Organize Home area
- Visually check over the field

- At least 1 minute, but 1 minute minimum



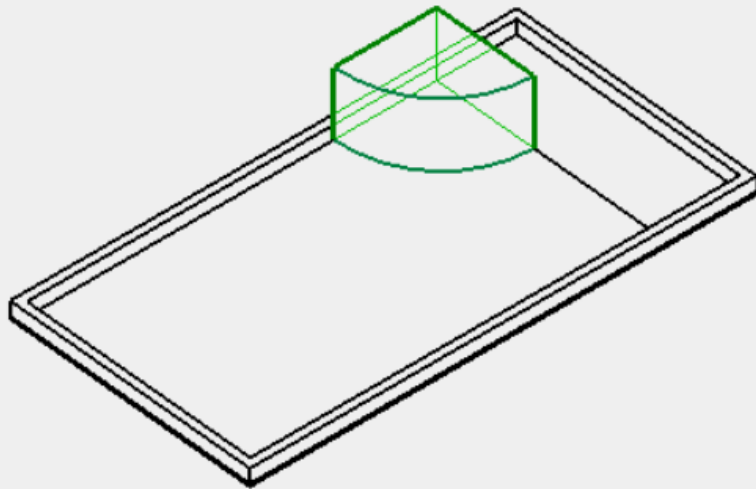
During the Match



- Tagging in
- Spare mission models
- Laptop, extra electronics
- Bluetooth
- Sleep timer

Home and Launch

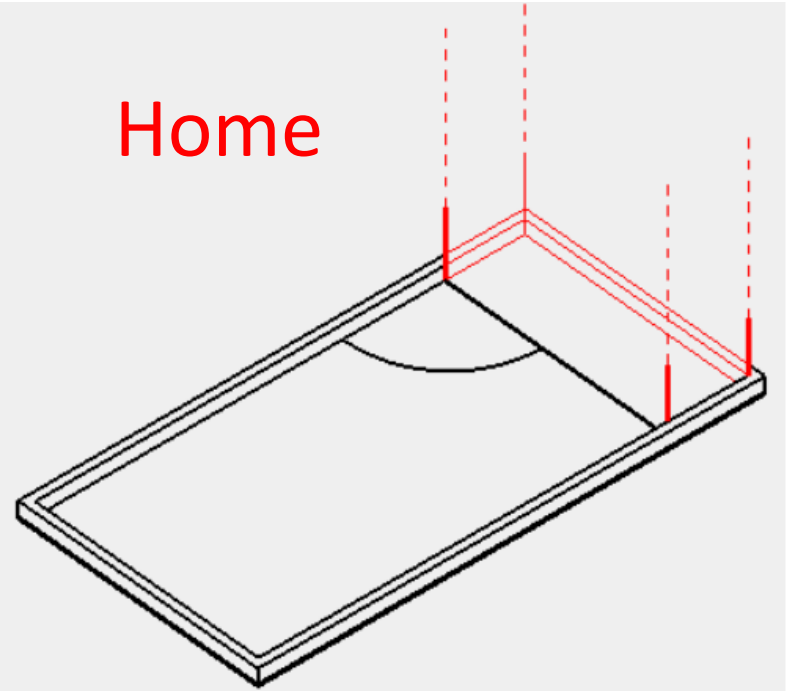
Launch



All mention of the “Launch Area” means here and only here, especially Rule 21

“Leave from here”

Home



All mention of the “Home” means here and only here, especially Rule 27

“Return to here”

Precision Tokens

RG07 - MIS-LAUNCH

If you Interrupt the Robot so soon after Launch that it hasn't yet reached a Launch Area perimeter line, you will need to re-Launch, but you will not lose a Precision Token. This is an exception to Rule 27.



Precision Tokens

27. INTERRUPTION PROCEDURE – If you **Interrupt** the Robot, stop it instantly, then calmly pick it up for the next Launch.

Where was the Robot Interrupted?

→ **Completely** in Home:

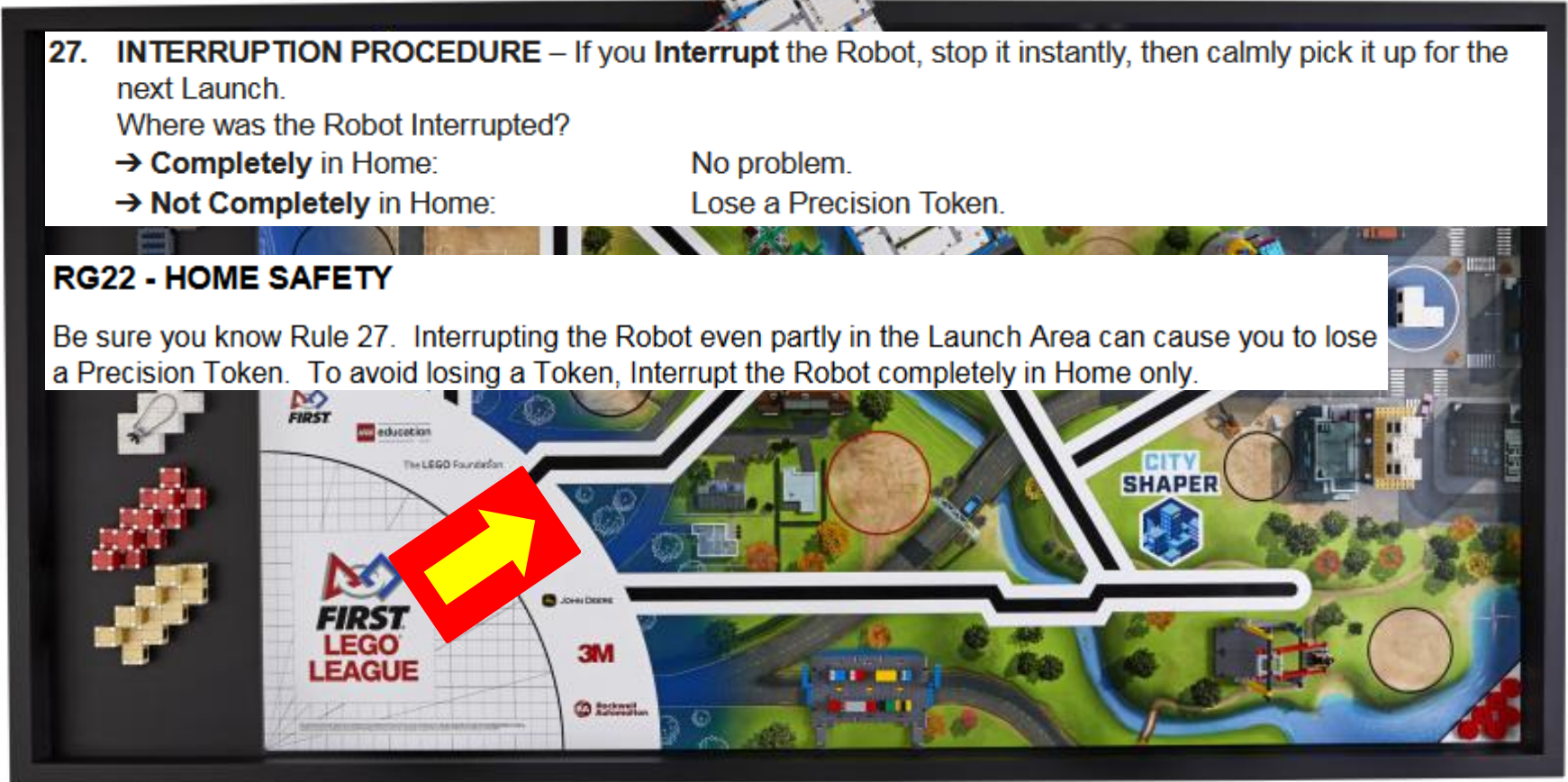
No problem.

→ **Not Completely** in Home:

Lose a Precision Token.

RG22 - HOME SAFETY

Be sure you know Rule 27. Interrupting the Robot even partly in the Launch Area can cause you to lose a Precision Token. To avoid losing a Token, Interrupt the Robot completely in Home only.



Precision Tokens



Precision Tokens



Precision Tokens



Precision Tokens



Precision Tokens

07. HOME – Table surface west of the Field Mat that includes the faces of its Border Walls.

Field Mat Home

The graphic shows a competition table layout with several zones and logos. A red box with a yellow arrow points to the left side of the table. The logos include FIRST, FIRST LEGO LEAGUE, The LEGO Foundation, SYSTEMS THINKERS, Jovivi Design, 3M, and Rockwell Automation. The table is divided into various zones, including a 'CITY SHAPER' zone.



Mission Specifics



- M01- Bridge/flag interference
 - If YOUR team's robot undoes scoring without interaction with the OTHER team's robot, that changed scoring condition stands (eg, knocks over treehouse or pushes blocks out of a circle)
- M11- Innovative Architecture
 - M11 is equipment
 - M12/M13 stacks/upgrades must be independent



After the Match



- 2 students score
- Team should be involved with the scoring process
 - Ask questions
 - Score with the referee
 - Check the score sheet
 - “Save” the score sheet
- Once the score is saved, the score is final
 - No replays



Kid v Coach Involvement



- Kid responsibilities
 - Carry the robot
 - Set-up the robot
 - Run the robot
 - Make decisions before, during and after the match
- Coach/parent tasks
 - Cheer!